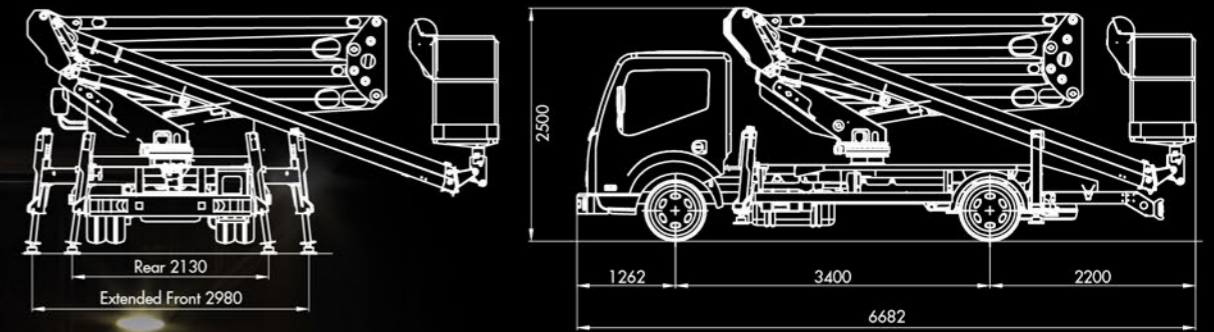


# PNT 205NH

Truck-mounted aerial lift work platform  
Piattaforma per lavoro aereo autocarrata

## Overall dimensions (millimeters)



## Working diagram (meters)



## Specifications

									
230 kg	9,10 m	20 m	18 m	1400 x 710 x 1100 mm	+ / - 90°	HE + H	Electro - hydraulic	Aluminium	550°

